



Blue Carbon
藍晶易碳

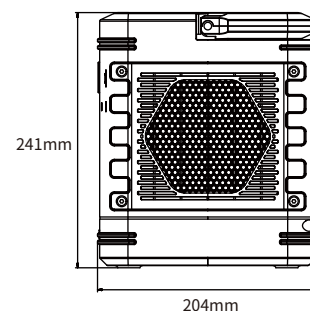
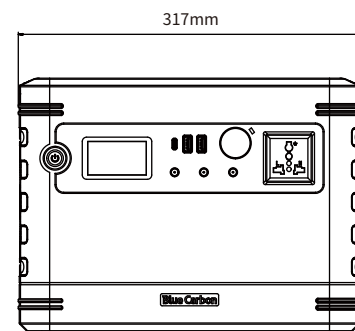


1kWh

SOLAR-STORAGE-APPLICATION
INTEGRATED SYSTEM

Model	BCT-SPS 12-80
Storage Capacity	80Ah/12.8V
Standard Capacity	1024Wh
USB Output	Two output 5V/2A, 9V/2A
DC Output	Three output 12V/2A
Car Charger Output	12V/10A
Type-C Output	5V/2A, 9V/2A, /12V/2A
Charging Voltage	14.6-20V
Cut-Off	2.5V single cell
AC Output Power	220V/1.1KW
AC Output Frequency	50Hz; Pure sine wave
Depth of Discharge	>80%
Self-Discharge (25°C)	<3%/month
Working Temperature Range	-20°C—70°C
Recommended Temperature Range	10°C—45°C
Warranty	Battery warranty 3 years
Product Size	317×241×204mm

1kWh solar system can be charged by solar, to store the electricity, with inverter built-in, can directly supply the power to the electric appliances when power outage. It is one comprehensive storage system integrating generation, storage and usage. Unlike generators, 1kWh solar system need no maintenance, no fuel consumption, and no noise, make your home lights always on, home appliances always run. It is easy to install, simple design, and perfect fit for a variety of architectural styles, apply for family, business, industry, aquaculture, planting, field work, camping tourism, night market, etc.



Blue Carbon, use electricity without carbon emission in future.



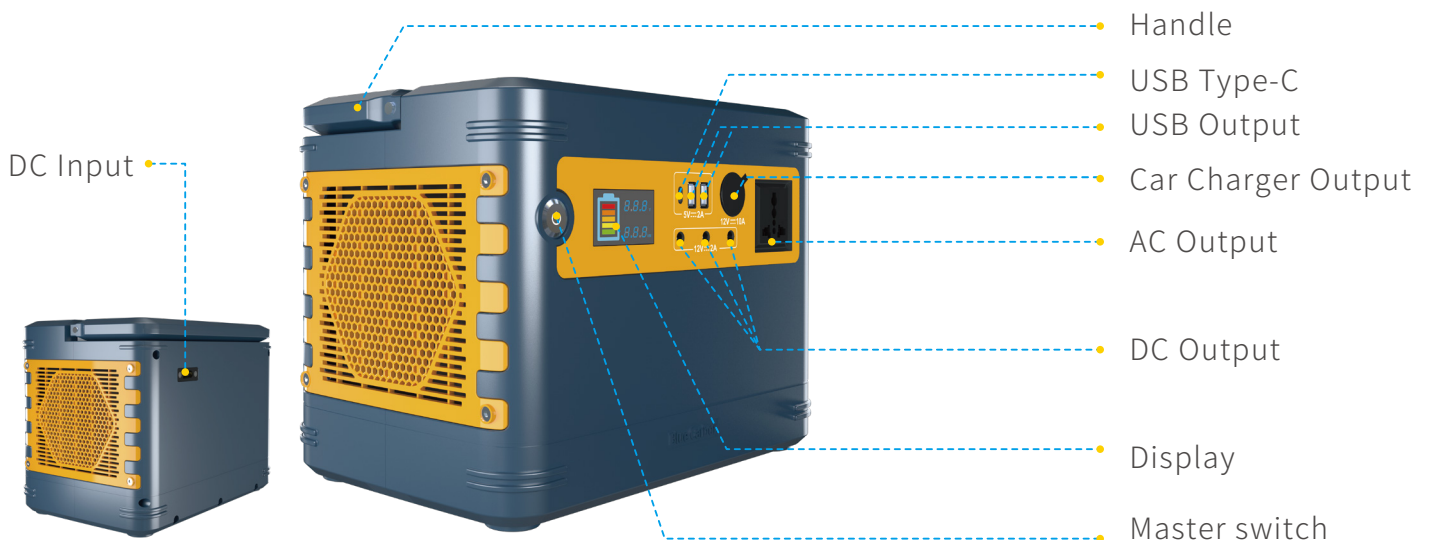
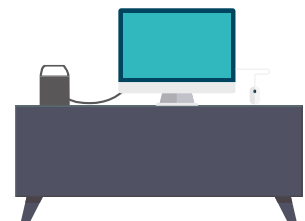
BCT

ADVANTAGES

- Integrated design, with generation, storage and usage integrated; modular production, easy installation.
- Dust-proof instruction, with its own inverter design, can directly supply electricity for electric appliances, to achieve a full range of energy supply.
- Lithium iron phosphate battery, the discharge depth reaches 95%. Under the discharge ratio of less than 0.5C, service life is up to 15 years, with high safety factor.
- No maintenance, no fuel consumption, no noise, flexible charging mode, saving money, reducing carbon emissions, energy saving and environmental protection;
- Compact appearance design, small size, with folding handle, portable, convenient and easy to store;
- High quality aluminium magnesium alloy, anti-corrosion, substantial, durable, artistic, practical.
- Integrated packaging, safe and convenient to transport.

BCT

INSTRUCTIONS

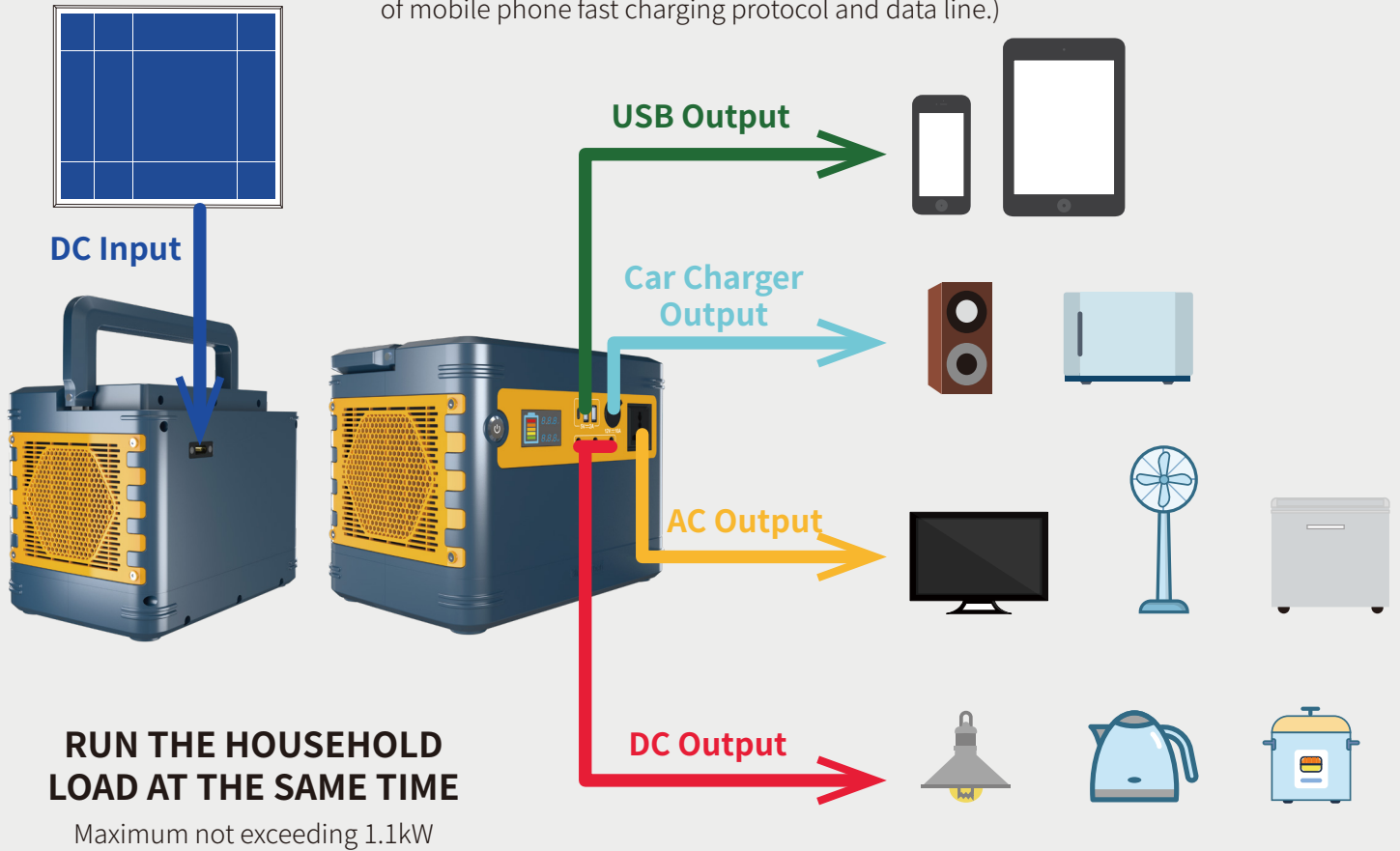




Blue Carbon
蓝晶易碳

When type-C and left USB are used at the same time, the output is 5V2A

(The specific output voltage and current need the support of mobile phone fast charging protocol and data line.)



BCT

APPLICATION PLACES



Tel: +86-0633-2190373
E-mail: sales@bluecarbontech.com

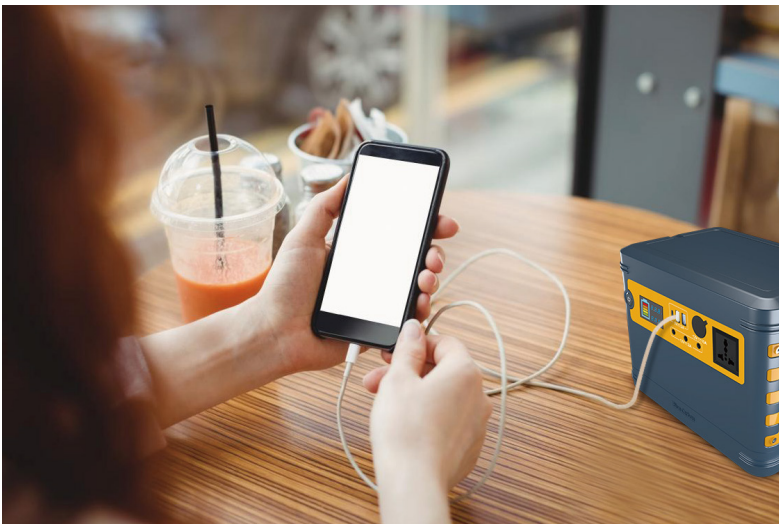
www.bluecarbontech.com



Blue Carbon
蓝晶易碳

BCT

APPLICATION PLACES



Tel: +86-0633-2190373
E-mail: sales@bluecarbontech.com

www.bluecarbontech.com



1024Wh
Large Capacity



Type-C
Output



USB
Output



220V
AC Output



Car Charger
Output



DC
Output

Appliances that can be connected



Sports Watch
3.7V/400mAh
691 Times



Mobile Phone
11Wh
93 Times



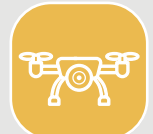
Pad
30Wh
34 Times



Notebook Computer
65Wh;100W
15 Times;10.2 H



All-in-one Computer
150W
6.8 H



UAVs
60-70Wh
14-17 Times



A Digital Camera
16Wh
64 Times



The Printer
400W
2.5 H



The Projector
150W-180W
5.6-6.8 H



Bluetooth Speakers
60W
17 H



Fan
50-60W
17-20 H



The Refrigerator
150W
6.8 H



LED Lights
5-10W
102-204 H



Washing Machine
380W
2.6 H



The Coffee Machine
150W-180W
5.6-6.8 H



Juicer
150W
6.8 H



50-inch TV Set
50-110W
9.3-20.4 H



Car Freezer
60W
17 H



Electric Blanket
80-150W
6.8-12.8 H



Household Atomizer
20W
51 H



Respirator
40W
25 H



Rechargeable Flashlight
3.7V/5000mAh
55 Times

1. The above data comes from Blue Carbon lab, and the test data will float up and down due to different factors, such as environment, usage methods and equipment specifications, etc. This test data is for reference only.
2. Electrical appliances can be operated at the same time with a maximum load of not more than 1.5 KW.
3. The limited current on the product is not suitable for inductive load, and the instantaneous start current of inductive load is 3-7 times of normal operation.

